





It is a structure of high quality thickness, with a modern and linear design, in which the cover is made up of painted aluminum slats that can be adjusted from 0° to 125°, with movement by two standard motors, one for orientation and one for folding opening and closing, not totally concealed. This structure is ideal for covering those spaces where, in addition to wanting complete coverage, you also want to see the space above. Bioclimatic offers protection from rain and sun, has a high resistance to atmospheric agents and in particular falls within Class 6 of wind resistance, in full compliance with the European reference standard.

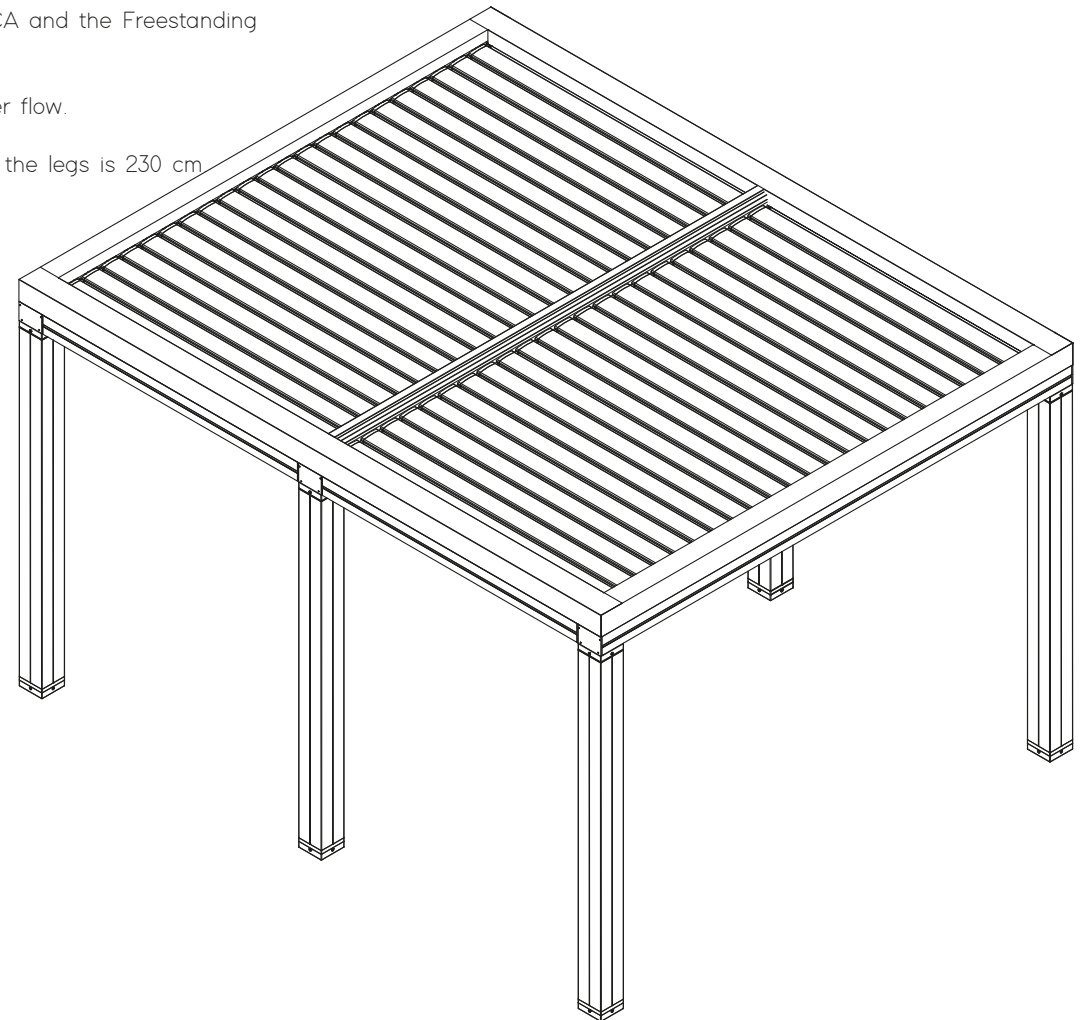
It is possible to make modular combinations and obtain a complete closure of the structure, by applying TCL or glasses on the sides.

Are part of the BIOCLIMATICA series: the PACK BIOCLIMATICA, the Wall-mounted BIOCLIMATICA and the Freestanding BIOCLIMATICA.

The Wall-mounted BIOCLIMATICA model requires a minimum inclination of 2 cm for correct water flow.

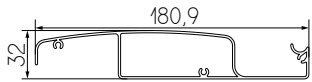
For both models, WALL-MOUNTED and FREESTANDING, the maximum recommended height of the legs is 230 cm.

OUR PERGOLAS ARE MADE WITH ALUMINUM ACCESSORIES.

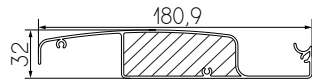




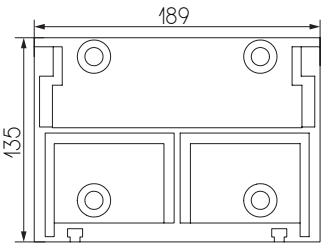
Slat for widths up to 350 Cm



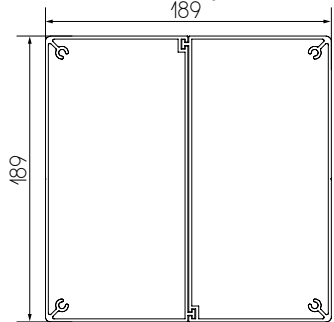
OPTIONAL Insulated slat



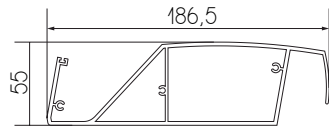
Bracket for installation wall-mounted



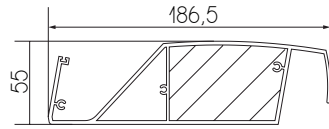
Profile leg 189



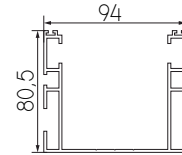
Slat for widths over 350 Cm



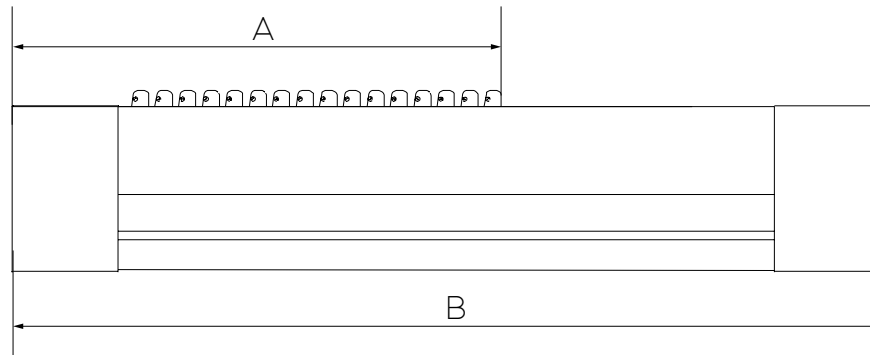
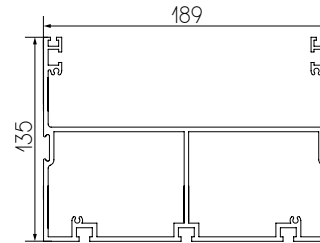
OPTIONAL Insulated slat



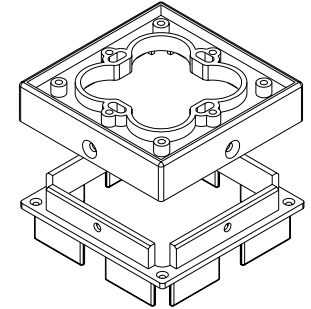
Profile guide



Profile gutter



Bracket for leg 189 x 189



Leg with water drain integrated

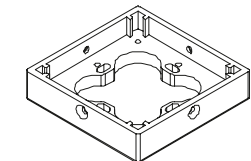
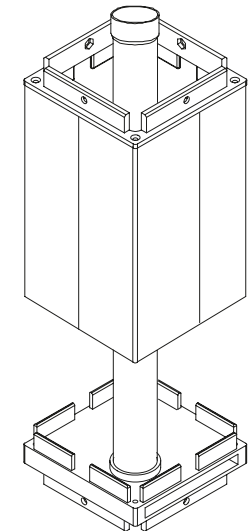
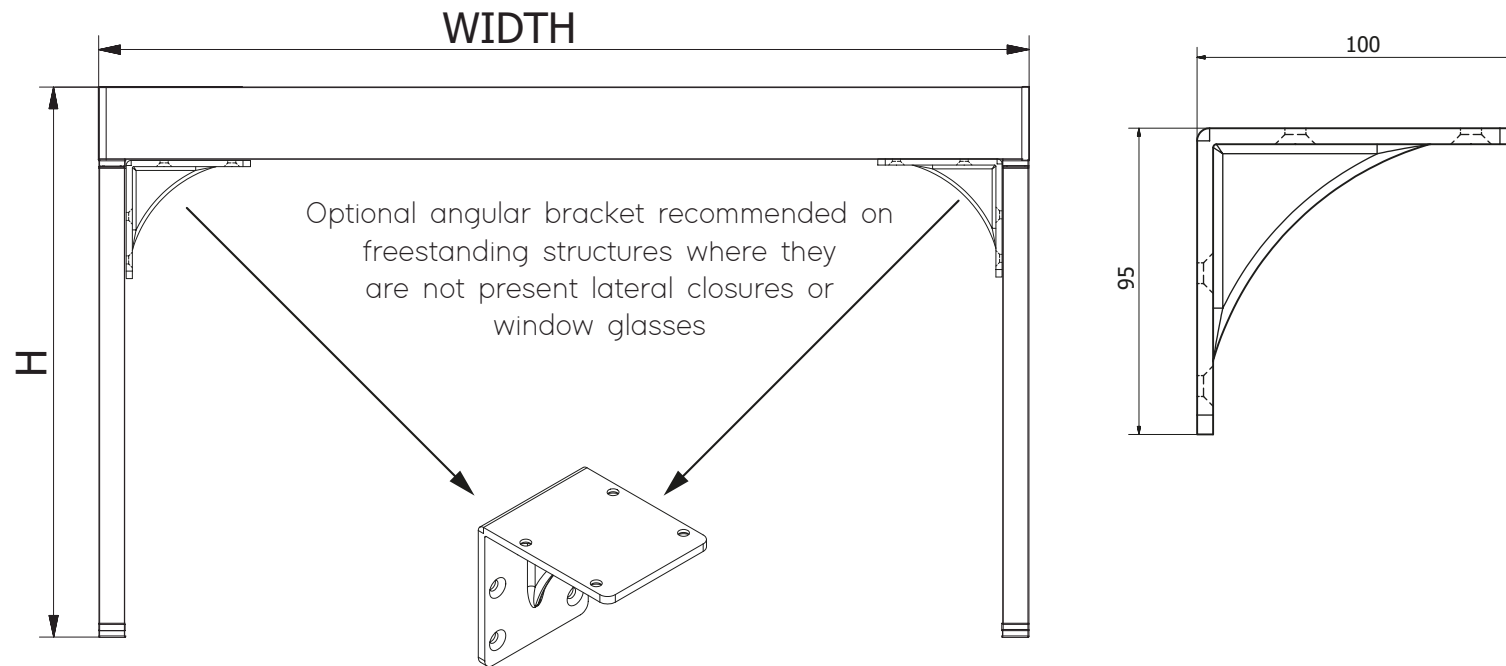
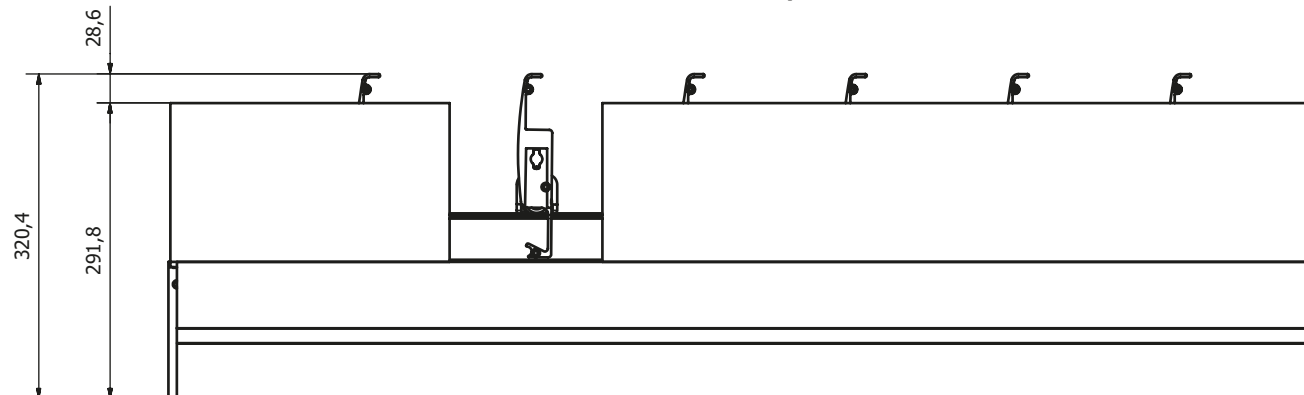


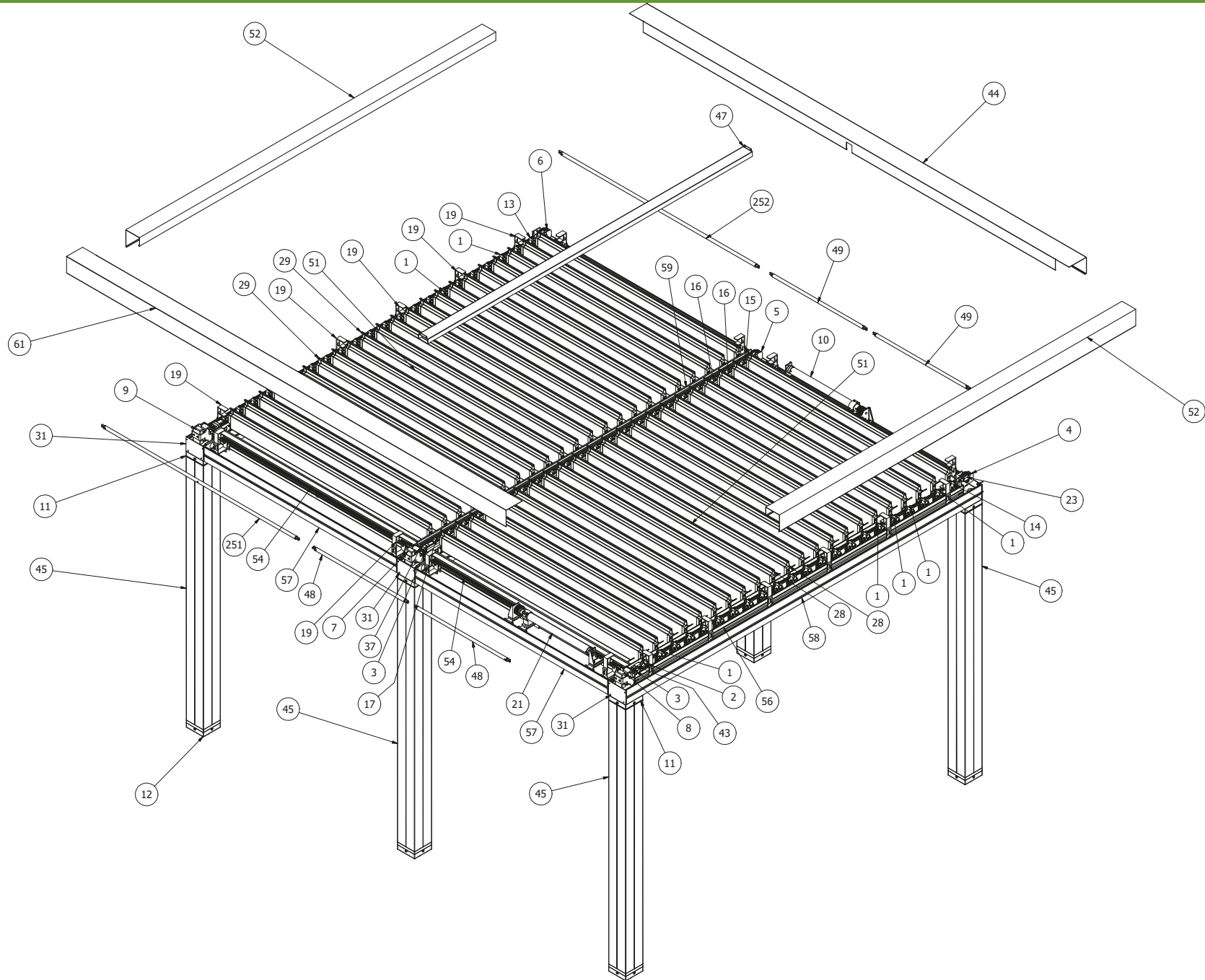
Table of slats encumbrances

Projection (B)	Encumbrance (A)
104	36,8
120	41
136	45,2
152	49,4
168	53,6
184	57,8
200	62
216	66,2
232	70,4
248	74,6
264	78,8
280	83
296	87,2
312	91,4
328	95,6
344	99,8
360	104
376	108,2
392	112,4
408	116,6
424	120,8
440	125
456	129,2
472	133,4
488	137,6
504	141,8
520	146
536	150,2
552	154,4
568	158,6
584	162,8
600	167



Encumbrances of opened slats





ELEMENT	PART	DESCRIPTION	ELEMENT	PART	DESCRIPTION
1	BICLIMA-001	LATERAL TROLLEY BIOCLIMATICA	39	V.OPEN-190	FOOT
2	BICLIMA-002	FIRST RIGHT SIDE TROLLEY	40	V.OPEN-192	LEG DRAIN
3	BICLIMA-004	COMPENSATOR TROLLEY	41	SPAZZOLINO 35	BRUSH 35
4	BICLIMA-006	RIGHT SIDE GUIDE INSERT BIOCLIMATICA	42	pezzo cinghia	
5	BICLIMA-030	CENTRAL GUIDE INSERT BIOCLIMATICA	43	MICRO	SZL-VL-H
6	BICLIMA-009	LEFT SIDE GUIDE INSERT BIOCLIMATICA	44	LAMIERA posteriore ALTA copy2	BACK SHEET
7	BICLIMA-029	CENTRAL BELT TENSIONER KIT	45	GAMBA 200	LEG
8	BICLIMA-005	RIGHT BELT TENSIONER KIT	46	TUBO SCARICO BIOCLIMATICA	EXHAUST D. 50
9	BICLIMA-027	LEFT BELT TENSIONER KIT	47	TETTINO CENTRALE	
10	BICLIMA-031	BIOCLIMATICA MOTOR FORWARD-BACK	48	ALBERO LATO ROTAZIONE-1	TUBE SHAFT
11	V.BIOC-116	LEG BRACKET 120	49	ALBERO LATO AVANZAMENTO	TUBE SHAFT
12	V.BIOC-120	LEG BRACKET 120	50	LAMIERINO	SHEET
13	BICLIMA-034	FIRST LEFT SIDE TROLLEY	51	PALETTA FRANGISOLE	SLAT
14	BICLIMA-032	FIRST TROLLEY WITH ESTENSION	52	CARTER ESTRUSO LATERALE	LATERAL CARTER
15	BICLIMA-033	CENTRAL FIRST TROLLEY BIOCLIMATICA	53	SPRDISE0155	GUTTER SUPPORT PROFILE
16	BICLIMA-028	CENTRAL TROLLEY BIOCLIMATICA	54	PROFILO COMPENSATORE	PROFILE COMPENSATOR
17	BICLIMA-026	CENTRAL TROLLEY	55	SPRDISE0107A-BIO	PROFILE LEG
18	BICLIMA-035	RIGHT SIDE TROLLEY	56	SPRDISE0130-1	PROFILE GUIDE
19	V.BIOC-132	CANOPY SUPPORT	57	SPRDISE0146-FRONTALE	LATERAL GUTTER
20	V.BIOC-133	GUIDE SUPPORT	58	SPRDISE0146-LATERALE	HIGHT BIOCLIMATICA GUTTER
21	V.BIOC-131	MOTOR BIOCLIMATICA	59	SUPPORTO CINGHIA CENTRALE	
22	BICLIMA-008	PANTOGRAPH	60	SPAZZOLINO	BRUSH
23	BICLIMA-024	MICROSWITCH	61	LAMIERA anteriore ALTA	HIGHT BACK SHEETy
24	V.BIOC-025	QUICK ATTACK ON PULLEY	62	SMCSPEL0826A	SPINA ELASTICA D8x26 UNIENISO875
25	V.BIOC-023	SWITCH SUPPORT	63	SMCSPEL0620A	SPINA ELASTICA 5X20 ISO 8752
26	V.RIVR-009	UPPER CLAMP	64	SMCTPSE0612A	SCREW TPS ES INC M6X12 UNI 5933 INOX
27	V.BIOC-126	COVER FOR WALL-MOUNTED BRACKET	65	SMCTESA0614A	SCREW TE T.F. M6x14 UNI 5739 INOX
28	V.BIOC-095	RIGHT SLAT COVER	66	SMCRNDL0409A	WASHER Di4 De9 SP0.5 OTTONE
29	V.BIOC-096	LEFT SLAT COVER	67	SMCRNDL1324A	WASHER Di13 De24 UNI6592 INOX
30	V.BIOC-105	SPRING-GUTTER SUPPORT	68	SMCTESA1250A	SCREW TE M12x50 UNI5737 INOX
31	V.BIOC-082	LARGE GUTTER COVER	69	SMCRNDL0816A	WASHER Di8,4 De16 UNI6592 INOX
32	V.BIOC-083	LATERAL LARGE GUTTER COVER	70	SMCTFTE0660A	TIRAF.TE 6X60 DIN571 ZN
33	V.BIOC-091	SUPPORT FOR PROFILE COMPENSATOR	71	SMCTESA0616B	SCREW TE T.F. M6x16 UNI 5739 INOX
34	V.BIOC-058	PIN FOR PANTOGRAPH	72	SMCDDQT0604A	SQUARED NUT M6 AS1474 ZN
35	V.OPEN-182	DRAIN SUPPORT	73	SMCTESA0612A	SCREW TE T.F. M6x12 UNI 5739 INOX
36	V.BIOC-129	INNER SUPPORT FOR LEG 189	74	SMCMOLL0516A	SPRING De 5,20 Hi 16,5 Øf 0,70 Nsp8,5
37	STAFFA	BRACKET FOR CENTRAL BELT	251	ALBERO LATO ROTAZIONE-2	TUBE SHAFT
38	V.BIOC-084	ANGULAR LEG SUPPORT	252	ALBERO LATO AVANZAMENTO-2	TUBE SHAFT